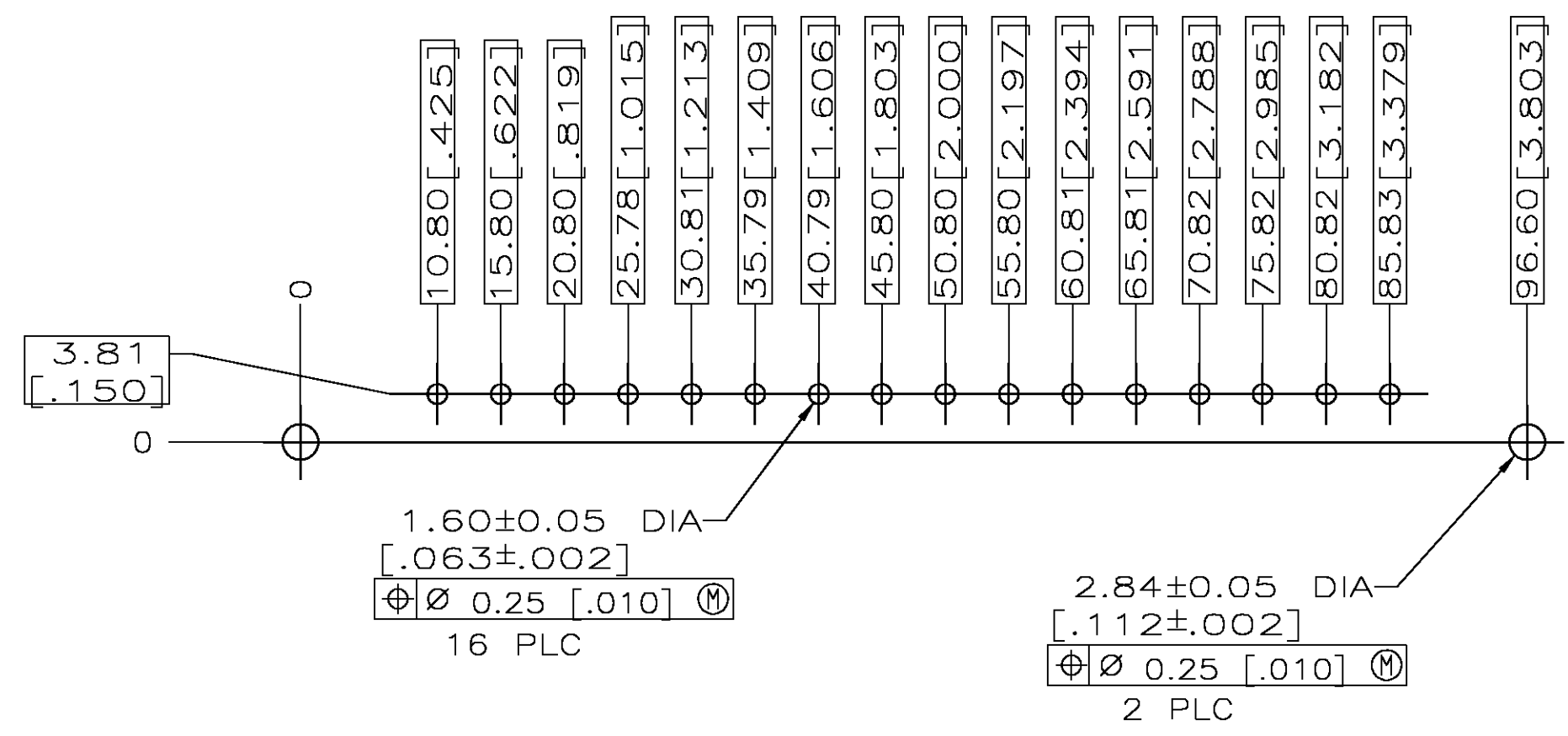
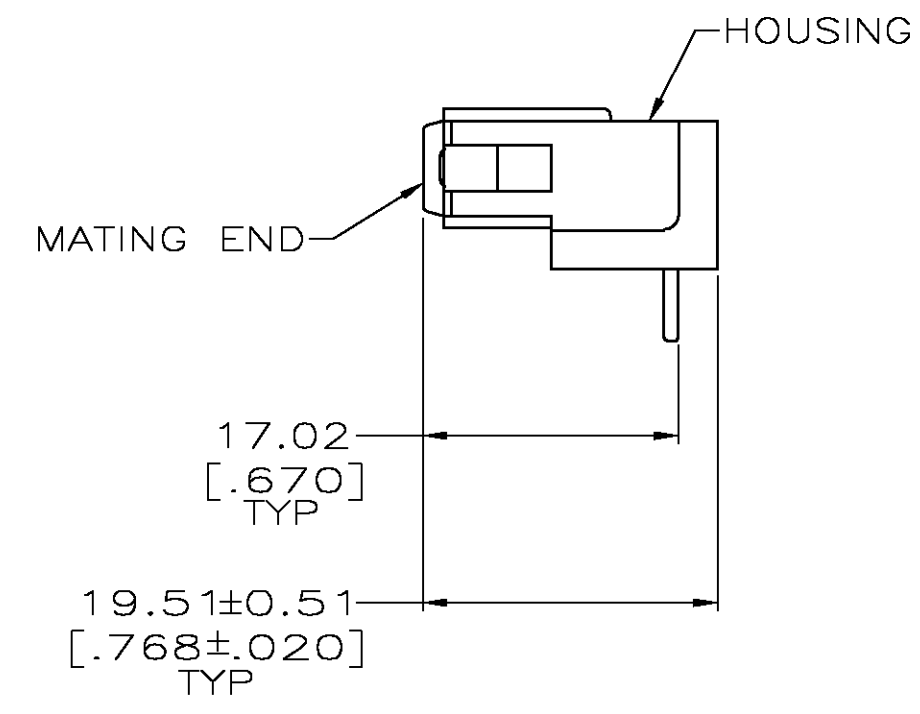
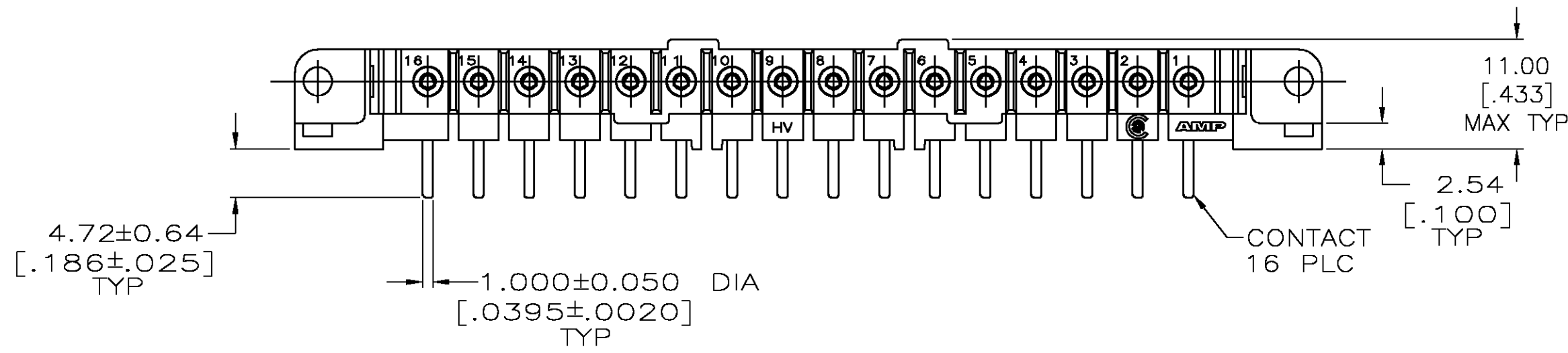
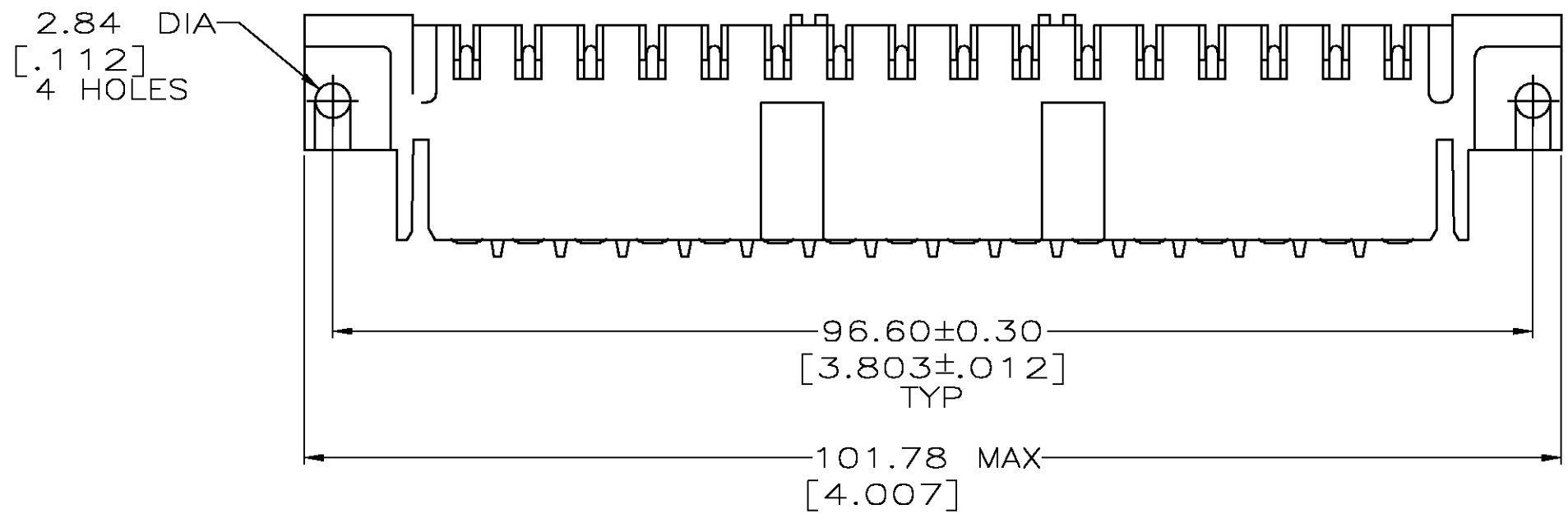


THIS DRAWING IS UNPUBLISHED. RELEASED FOR PUBLICATION
 © COPYRIGHT BY TYCO ELECTRONICS CORPORATION. ALL RIGHTS RESERVED.

| LOC | | DIST | | REVISIONS | | | |
|-----|-----|--------------------------|---------|-----------|------|--|--|
| P | LTR | DESCRIPTION | DATE | DWN | APVD | | |
| FT | 0 | | | | | | |
| | H | REVISED PER 0G3B-0178-05 | 4/20/05 | SS | GS | | |



- 1 3.81um [.000150] MIN TIN-LEAD OVER 0.76um [.000030] MIN NICKEL.
- 2 0.76um [.000030] MIN GOLD FOR A LENGTH OF 5.08 [.200] MIN FROM MATING END, 3.81um [.000150] MIN TIN-LEAD FOR A LENGTH OF 5.23 [.206] MIN FROM OPPOSITE END, BOTH OVER 1.27um [.000050] MIN NICKEL.
- 3 3.81um [.000150] MIN TIN OVER 0.76um [.000030] MIN NICKEL.
- 4 0.76um [.000030] MIN GOLD FOR A LENGTH OF 5.08 [.200] MIN FROM MATING END, 3.81um [.000150] MIN TIN FOR A LENGTH OF 5.23 [.206] MIN FROM OPPOSITE END, BOTH OVER 1.27um [.000050] MIN NICKEL.

RECOMMENDED PC BOARD LAYOUT

| | |
|----------------|-------------|
| 4 | 207614-7 |
| 3 | 207614-6 |
| 2 | 207614-3 |
| 1 | 207614-1 |
| CONTACT FINISH | PART NUMBER |

| | | | | |
|--|----------------------------|-------------------------|---|-----------------|
| THIS DRAWING IS A CONTROLLED DOCUMENT. | | DWN L.SIPE 08/07/92 | Tyco Electronics Corporation Harrisburg, Pa 17105-3608 | |
| DIMENSIONS: mm [INCHES] | | CHK J.McCLINTON 8-11-92 | NAME | |
| TOLERANCES UNLESS OTHERWISE SPECIFIED: | | APVD | PRODUCT SPEC | |
| 0 PLC ± - | 1 PLC ± - | 108-10033 | APPLICATION SPEC | |
| 2 PLC ± 0.25 [.010] | 3 PLC ± - | | SIZE A2 | CAGE CODE 00779 |
| 4 PLC ± - | ANGLES ± - | | DRAWING NO C=207614 | RESTRICTED TO |
| MATERIAL HOUSING: NYLON, RED CONTACTS: PH BRZ. | FINISH CONTACTS: SEE TABLE | WEIGHT - | SCALE 2:1 | SHEET 1 OF 1 |
| CUSTOMER DRAWING | | REV H | | |